



Gripper Gasket LLC
 1660 Leeson Lane
 Corona, CA 92879
 (951) 479-4999 • Fax (951) 479-4997
maxadaptor.com

MAXADAPTOR® DWV Couplings - Submittal

Performance Plumbing Coupling

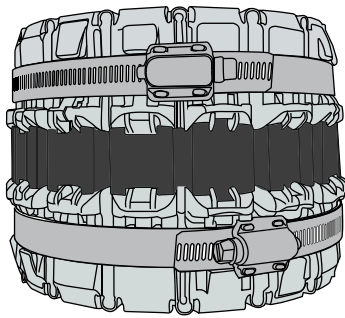
PROJECT _____
 ENGINEER _____
 CONTRACTOR _____

MATERIALS

Screw Housing Series 304 ASTM stainless steel
 Screw Saddle Series 304 ASTM stainless steel
 Screw Series 304 ASTM stainless steel
 Securing Cage High impact polyamide (nylon)
 Gasket EPDM rubber

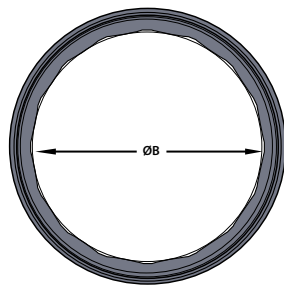
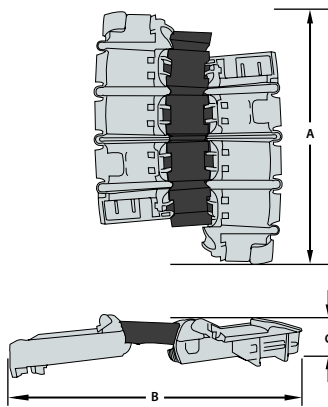
**The Only Universal Coupling
 for DWV Applications —
 ONE SIZE FITS ALL**

**MEETS:
 ASTM C 1173
 UPC 4224**



SIZES 2" THROUGH 4" - 2 CLAMPS

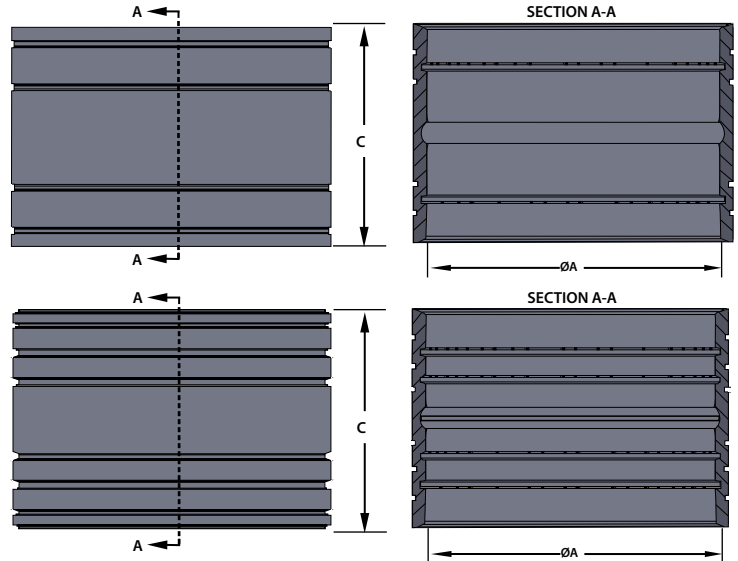
SECURING CAGE DETAILS



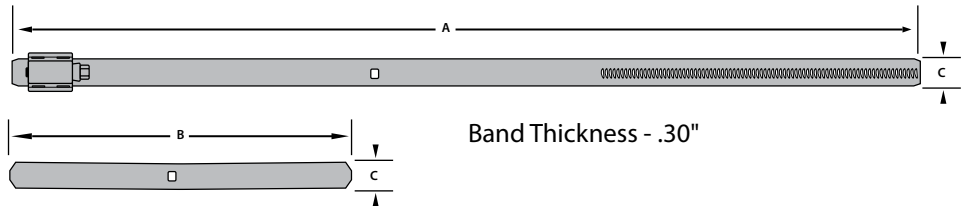
SIZES 2" - 3"
 2 SEALING
 RINGS/SIDE

SIZE 4"
 3 SEALING
 RINGS/SIDE

SEALING GASKET DETAILS



CLAMP ASSEMBLY DETAILS



MAXADATOR REFERENCE	SIZE	CLAMP ASSEMBLY			SECURING CAGE			SEALING GASKET		
		A	B	C	A	B	C	ØA	ØB	C
MAX DWV 2	2"	13.250"	6.688"	0.563"	7.000"	3.350"	0.625"	2.552"	N/A	3.125"
MAX DWV 3	3"	19.000"	6.688"	0.563"	7.000"	3.350"	0.625"	4.350"	N/A	3.125"
MAX DWV 4	4"	23.625"	10.500"	0.563"	6.750"	5.300"	1.000"	5.300"	5.050"	4.975"

TEST	GASKET PHYSICAL TESTS (ASTM C1173)	ASTM C1173
Tensile Strength	1000 PSI minimum	D412
Elongation	200% minimum	D412
Durometer (Shore A)	50 minimum 75 maximum	D2240
Heat Aging	75% of original tensile strength 65% of original elongation All determined after oven aging at 70°C for 70 hours	D573
Ozone Cracking	No visible cracking at 2X magnification of the gasket after 24 hours exposure in 0.5 PPHM ozone concentrations at 40°C. Testing and inspection to be on gasket which is loop-mounted to give approximately 20% elongation of outer surface.	D1149
Water Absorption	20% maximum by weight after 7 days at 70°F	D471
Chemical Resistance	No weight loss 48 hours at 74°F	D543

U.S. Patent Nos. US 8,651,532 B2 & US 8,635,747 B2

MAXADAPTOR® DWV Couplings are shielded transition couplings designed to connect most types of gravity flow, non-pressure sanitary and drain waste and vent (DWV) pipes. One coupling per nominal diameter joins Steel, ABS, SCH 40, SDR 35, Cast Iron, Extra Heavy Cast Iron, Asbestos Cement, Stainless Steel, Copper, Duriron®, Ductile Iron and Clay. Coupling consists of corrosion resistant AISI 304 Series Stainless Steel components, and a high impact polyamide (nylon) securing cage, over an injection molded EPDM rubber gasket. Couplings are available in sizes 2" through 4".

Leak-Proof Seal - AISI 304 series stainless steel components and high impact polyamide (nylon) securing cage provide sufficient band load to ensure a water-tight, leak-proof seal that is resistant to both infiltration and exfiltration.

Corrosion Resistant - AISI 304 series stainless steel components provide highly effective corrosion resistance in a variety of environments; such as marine applications, poorly aerated or moist soils, contaminated ground conditions (particularly industrial fill sites) and where the ground water contains chloride, sulfates or bicarbonates.

Withstands Tension and Compression - EPDM rubbers permit a substantial degree of distortion without change in basic physical resistance, unlike other manufacturers' thermoplastic gasket materials. Molded rubber gasket is strong, durable and resilient to ultraviolet rays, ozone, fungus growth, natural erosive properties of soil and normal sewer gases. More pliable and easier to install in cold weather applications than an elastomeric PVC gasket.

Internal "Pipe Stop" - For proper pipe positioning and noise/vibration reduction.

Joint Movement Restraint - Coupling provides for superior load bearing control between the coupling and pipe surface. The coupling's rugged construction provides excellent sealing properties, and the stainless steel band plus securing cage offers excellent resistance to shear forces and helps with alignment, while maintaining flexibility.

Pre-Set Calibration - Designed to be installed with a cordless drill to 80 in/lbs. minimum torque for the 4", and 60 in/lbs. minimum torque for the 2" & 3", to accommodate the AISI 305 series stainless steel 5/16" hex head screw.