



Gripper Gasket LLC
 1660 Leeson Lane
 Corona, CA 92879
 (951) 479-4999 • Fax (951) 479-4997
maxadaptor.com

**MEETS:
 ASTM C 923**

**The Only Universal Lateral Connector —
 ONE SIZE FITS ALL**

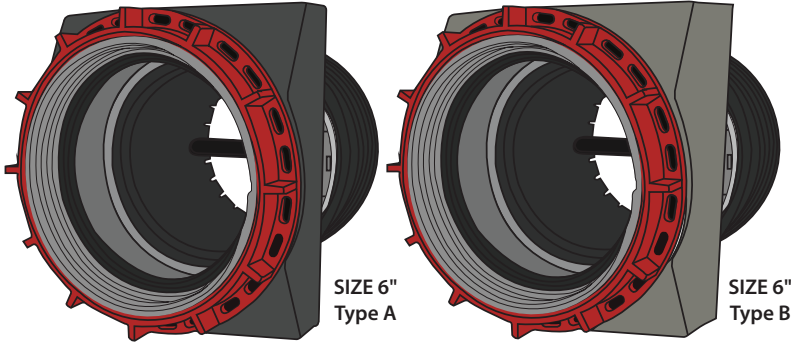
VPS Connector - Submittal

Performance Universal 90° Lateral Connector

PROJECT _____
 ENGINEER _____
 CONTRACTOR _____

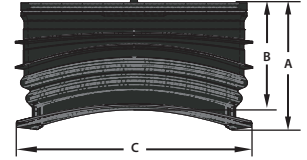
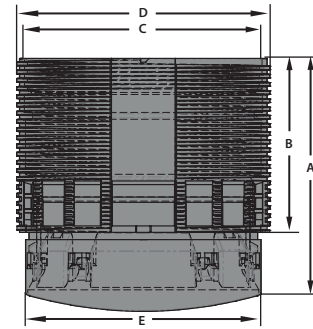
MATERIALS

Threading Ring High impact polyamide (nylon)
Apron High impact polyamide (nylon)
Securing Band Series 304 ASTM stainless steel
Threaded Collar High impact polyamide (nylon)
Gasket EPDM rubber



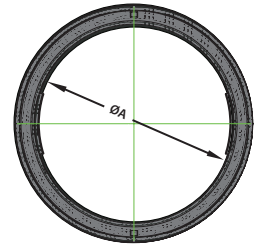
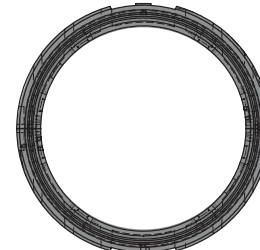
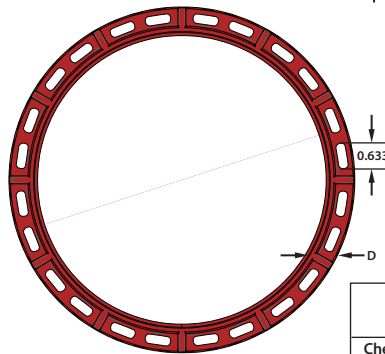
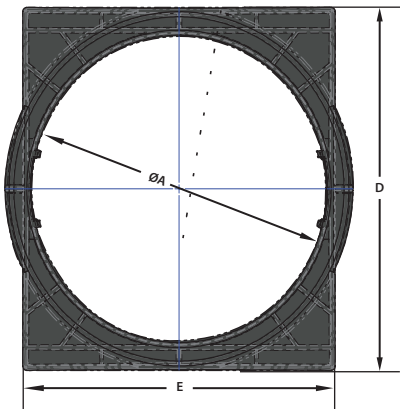
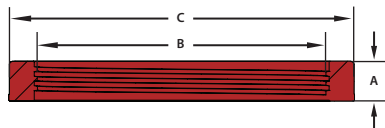
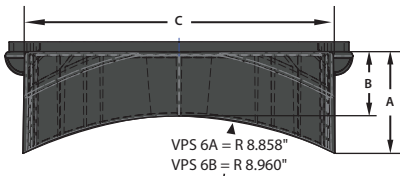
THREADED COLLAR DETAILS

GASKET DETAILS

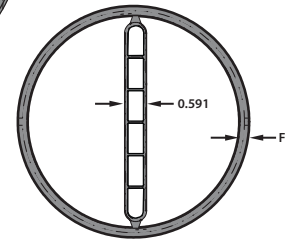


APRON DETAILS

THREADING RING DETAILS



Collar Bottom



VPS CONNECTOR REFERENCE	SIZE	THREADING RING				APRON					
		A	B	C	D	A	B	C	ØA	D	E
VPS 6A	6"	0.984"	7.157"	8.575"	0.236"	2.428"	1.535"	7.701"	7.343"	8.670"	7.780"
VPS 6B	6"	0.984"	7.157"	8.575"	0.236"	3.859"	2.625"	7.719"	7.126"	8.771"	7.844"

VPS CONNECTOR REFERENCE	SIZE	GASKET				THREADED COLLAR					
		A	B	C	ØA	A	B	C	D	E	F
VPS 6A	6"	4.020"	3.386"	7.446"	6.277"	7.278"	5.005"	6.674"	7.284"	6.772"	0.285"
VPS 6B	6"	4.020"	3.386"	7.446"	6.277"	7.278"	5.005"	6.674"	7.284"	6.772"	0.285"

TEST	GASKET PHYSICAL TESTS (ASTM C923)	ASTM C923
Chemical Resistance: 1 N sulfuric acid 1 N hydrochloric acid	no weight loss for 48 hours at 71.6°F [22°C]	D543
Tensile Strength	1200 psi [8.3 MPa], minimum	D412
Elongation at break	350%, minimum	D412
Durometer (Shore A)	50 minimum 75 maximum	D2240
Accelerated Oven-Aging	decrease of 15%, maximum, of original tensile strength, decrease of 20%, maximum, of original elongation Determined after oven aging at 158 ± 1.8°F [70 ± 1°C] for 7 days	D573
Compression Set	decrease of 25%, maximum, of original deflection Method B, at 158°F [70°C] for 22 hours	D395
Water Absorption	increase of 10%, maximum, of original by weight Immerse 1 by 2-in. [25 by 50 mm] specimen in distilled water at 158°F [70°C] for 48 hours	D471
Ozone Resistance	No visible cracking at 2X magnification of the gasket after 24 hours exposure in 0.5 PPHM ozone concentrations at 40°C.	D1149
Low-Temp Brittle Point	no fracture at -40°F [-40°C]	D2137
Tear Resistance (Die B)	200 lbf/in. [35 kN/m]	D624

Vario Pipe Side (VPS) Connectors are designed to make 90° lateral service connections joining any thick or thin-walled sewer main pipe materials (.28" or thicker) with pipe internal diameters of 12" or larger to a 6" plastic lateral pipe in gravity flow, non-pressure sewer/drainage pipes. Connector consists of high impact polyamide (nylon) threading ring, apron, and threaded collar over an injection molded EPDM rubber gasket, and corrosion resistant 304 series stainless steel securing band. Connectors are available in sizes 6" Type A for sewer main wall thickness of 2.36" or thicker, and 6" Type B for sewer main wall thickness of 0.28" or thicker.

Leak-Proof Seal - High impact polyamide (nylon) components and 304 series stainless steel provide sufficient band load to ensure a water-tight, leak-proof and root-proof seal that is impervious to both infiltration and exfiltration.

Corrosion Resistant - AISI 304 series stainless steel components provide highly effective corrosion resistance in a variety of environments.

Withstands Tension and Compression - EPDM rubbers permit a substantial degree of distortion without change in basic physical resistance, unlike other manufacturers' thermoplastic gasket materials. Molded rubber gasket is strong, durable and resilient to ultraviolet rays, ozone, fungus growth, natural erosive properties of soil and normal sewer gases.

Joint Movement Restraint - Connector provides for superior load bearing control between the connector and pipe surface. The connector's rugged construction provides excellent sealing properties, resistance to shear forces and helps with alignment, while maintaining flexibility; accommodating 7° of deflection in all directions.

Stepless Adjustment - Stepless radial adjustment to thick or thin-walled sewer main pipes (.28" or thicker).